

Technical Specifications

Princeton PB70+

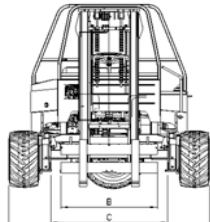
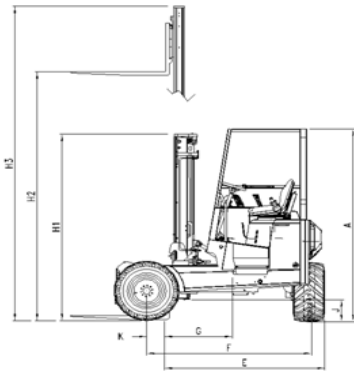


PB+

PRINCETON
DELIVERY SYSTEMS®



Princeton PB70+ Technical Specifications



| | Model | PB70+ |
|-----|--------------------------------------|----------------------------|
| | TYPE | Standard |
| 1 | CAPACITY @ 24" LOAD CENTER | 7000 lbs |
| 2 | DIESEL ENGINE | 56 HP |
| 3 | ENGINE EMISSION COMPLIANCE | EPA Tier4 Final |
| 4 | MAXIMUM RPM | 2700 RPM |
| 5 | ELECTRICAL SYSTEM | 12 Volt |
| 6 | DRIVE WHEELS | 3 |
| 7 | STEERING | Hydrostatic |
| 8 | TIRE TYPE | 31 x 15.5 - 15 12-Ply (RT) |
| | | 31 x 15.5 - 15 12-Ply (RT) |
| 9 | TIRE OUTSIDE DIAMETER | 31" |
| 10 | TIRE WIDTH | 15.5" |
| 11 | MAXIMUM SPEED | 7 mph |
| 12 | MAXIMUM GRADABILITY | 30% |
| 13 | TURNING RADIUS | 91" |
| 14 | UNLADEN WEIGHT | 6580 lbs |
| 14a | UNLADEN WEIGHT (OPTIONAL) | 6700 lbs |
| 15 | WORKING PRESSURE (ATTACHMENTS) | 2500 psi |
| 16 | TILT OF MAST (FORWARD/BACKWARD) | 10° / 8° |
| 17 | SIDESHIFT | 5" |
| 18 | FORK SECTION | 48 x 6 x 2" |
| 19 | MAST CARRIAGE TRAVEL | 27" |
| A | HEIGHT TO TOP OF CANOPY | 101" |
| B | FORK CARRIAGE WIDTH (CLASS) | 48.25" (III) |
| C | FRAME OPENING | 57.75" |
| D | OVERALL WIDTH | 101" |
| E | OVERHANG | 80" |
| F | WHEELBASE | 83.5" |
| G | CENTER OF GRAVITY (FROM FORK FACE) | 27" |
| H1 | LIFT HEIGHT | 144" |
| H2 | MAST HEIGHT - COLLAPSED | 109.25" |
| H3 | MAST HEIGHT - RAISED | 181" |
| H1a | LIFT HEIGHT | N/A |
| H2a | MAST HEIGHT - COLLAPSED | N/A |
| H3a | MAST HEIGHT - RAISED | N/A |
| J | GROUND CLEARANCE | 11" |
| K | FACE OF FORK TO CENTER OF FRONT TIRE | 15" |
| L | ANSI STANDARD | B56.14 |

The above specifications are not binding upon the manufacturer and may be changed without prior notice.

Weights may vary, depending on tire and/or fork options

For more information, contact your local PiggyBack Dealer

PRINCETON
DELIVERY SYSTEMS®

Princeton Delivery Systems

12233 Williams Road

Perrysburg, OH 43551 USA

tel 1.800.331.5851

www.piggy-back.com

A Part of the Hiab Group
V2017.05.11